

# PRODUCT'S DATA SHEET



## CABLE TRAY BOLT DIN-603

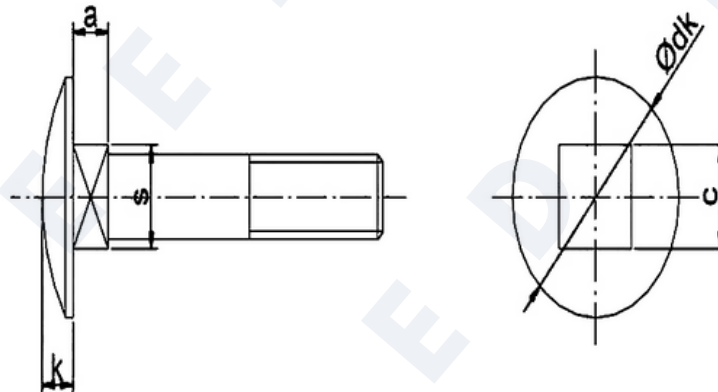


### MATERIALS

Mild Steel, Carbon Steel, Alloy Steel & Stainless Steel

### SIZE RANGE

- M6 to M64 in metric series
- Default Length 200cm
- Other Lengths can be manufactured as per order



size		M5	M6	M8	M10	M12
Ødk: head diameter	mm	13	16	20	24	30
k: head thickness	mm	3	3.5	4.5	5	6.5
a: square thickness	mm	3.5	4	5	6	8
S	mm	5	6.2	7.8	9.85	11.6
C	mm	5	6	8	10	12