

PRODUCT'S DATA SHEET



ADJUSTABLE STRUT BRACKET



APPLICATION

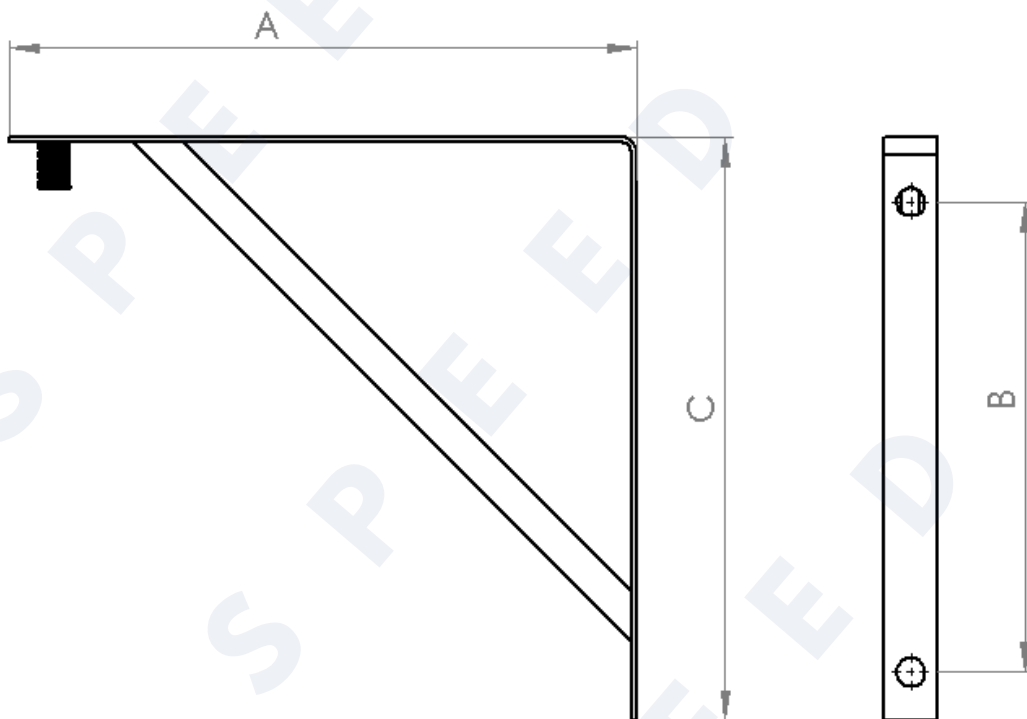
SUSPENSION OF Fan Coil Units Pipes Ducts Brackets Light Weight Equipment FLOOR MOUNTING OF (using rubber element only) Refrigerators Domestic Appliances Industrial Lightweight Equipment.

MATERIAL

galvanized steel, stainless steel, and aluminum.

FINISH

Plain, Electro-Galvanized, Hot Dip Galvanized or epoxy coating



Product Code	A	B	C	Bolt Dia.	rec.load
	mm	mm	mm	mm	Kg
SF-ASB 01	254	165	229	16	129
SF-ASB 02	356	266	330	16	154
SF-ASB 03	508	419	483	16	565