

PRODUCT'S DATA SHEET

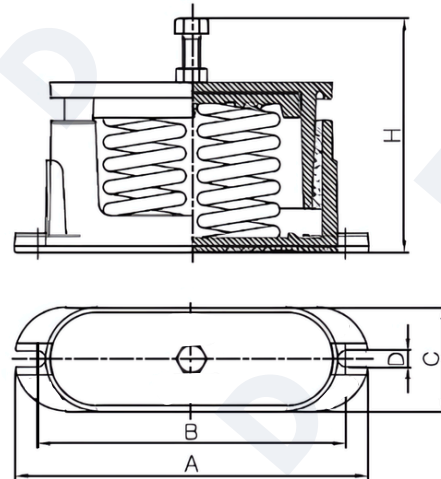
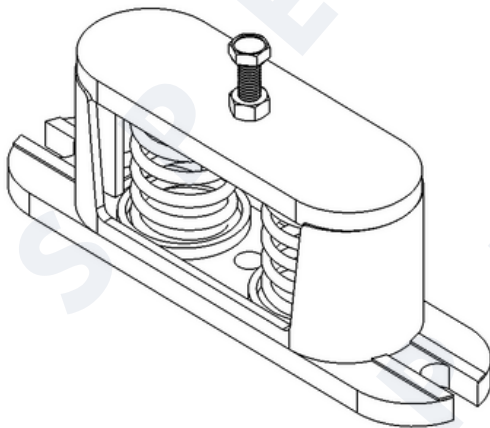


DOUBLE SPRING MOUNT

- for pumps, refrigerators, compressors and power generators
- for ventilators
- for air conditioning unites
- for equipment with large horizontal reaction

FEATURES

As an enclosed spring mount, it has the spring between upper and bottom housings. An anchor hole is on the bottom housing and the tap is on the top housing, which allows level control of the bolt with a level bolt and nut to be used. Plus, the spring cap with a bolt guided hole is at the top of the spring to distribute the load transferred from the level bolt and the anti-frictioner is attached between upper and bottom housings, which somewhat reduces attenuation and friction caused by left-right and top-down relative displacement when the equipment is running. There is a CR pad attached on the bottom of the bottom housing to compensate disadvantages of the spring transferring high frequency due to a kind of surging effect.



product code	A	B	C	D	H	COLOUR	BOLT Diameter	REC.LOAD	spring constant	MAX. DEFLECTION
	mm	mm	mm	mm	mm		mm	kgf	kgf/mm	mm
SF-DSM 120	306	277	94	13	170	blue	13	1200	48	25
SF-DSM 150	306	277	94	13	170	black	13	1500	60	25
SF-DSM 200	306	277	94	13	170	yellow	13	2000	80	25