

# PRODUCT'S DATA SHEET



## DROP IN ANCHOR



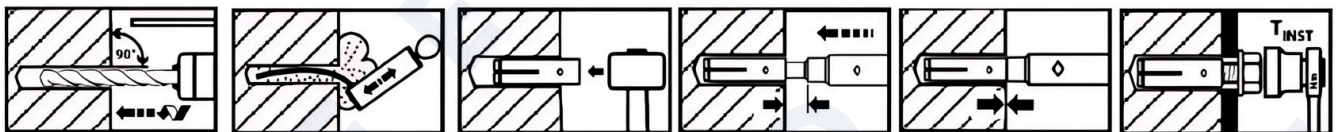
### FEATURES

- Displacement controlled expansion anchor with internally threaded.
- Galvanized steel suitable for indoor/dry conditions.
- Secure hold and fast installation. Immediately load-bearing.

### BASE AMTERIAL

- Non-Cracked Concrete.
- Cracked concrete with multiple attachments.

### Installation process:



DRILL HOLE

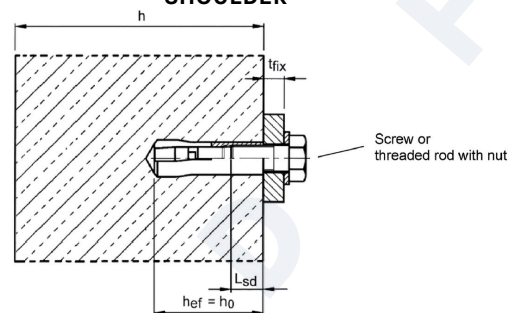
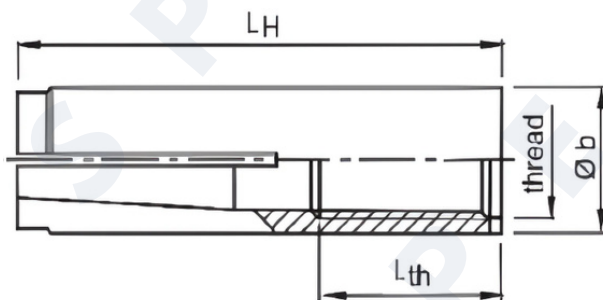
CLEAN HOLE

INSERT ANCHOR  
UNTILL FLUSH

FIX BY SETTING  
TOOL

ANCHOR RIM SETS  
ON SETTING TOOL  
SHOULDER

APPLY TORQUE



Description	Msize	Length	Drilling depth	Min. Anchorage Depth	fixture Thickness	Drilling diameter	Clearance Diameter	Tightening torque
	d	LH	ho	Lth	t fix	do	df	Tinst
	mm	mm	mm	mm	mm	mm	mm	N/m
SF-DX/S M6x30	6	30	30	10	20	8	7	4
SF-DX/S M8x30	8	30	30	14	30	10	9	8
SF-DX/S M10x40	10	40	40	15	60	12	12	15
SF-DX/S M12x50	12	50	50	20	20	15	15	35
SF-DX/S M16x65	16	65	65	25	40	20	18	60
SF-DX/S M20x80	20	80	80	34	60	25	22	12