

PRODUCT'S DATA SHEET



RISER CLAMPS consists of two carbon steel flat bars bent to shape and held together by two bolts. Designed to act as a rigid support or guide for vertical pipes. The clamp should be bolted to the pipe just below support lugs or other attachments that can carry a shear load.

4 BOLT RISER CLAMP

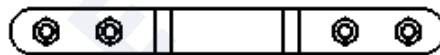
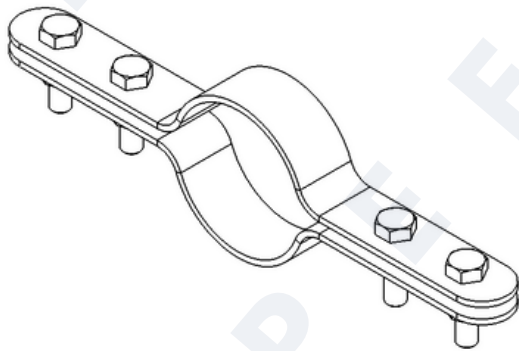
recommended for the support and/or restraint of vertical steel pipes. designed to attach to the pipe and to rest on a structural member or floor; it is not designed to have hanger rods attached to it to support the pipe.

Material

Carbon Steel and any other materials can also be provided upon request

FINISH

Plain, Electro-Galvanized, Hot Dip Galvanized or epoxy coating



product code	pipe size	Pipe Diameter	bolt diameter d (mm)	B (mm)	Max Load (KG)
	inch	(mm)			
SF-4BRC 04	4	97	16	366	
SF-4BRC 06	6	142.5	16	428	
SF-4BRC 08	8	205	16	486	
SF-4BRC 10	10	274	16	542	
SF-4BRC 12	12	324	20	638	
SF-4BRC 14	14	356	20	717	
SF-4BRC 16	16	425	20	816	