

PRODUCT'S DATA SHEET



LIGHT WELDED STEEL BRACKET CLIP



APPLICATION

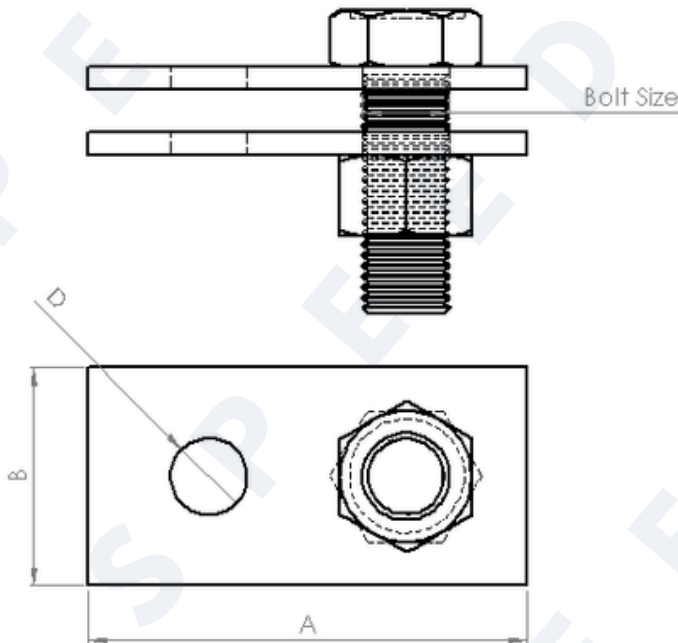
Light Welded Steel Bracket Clip is a structural component used for various applications, including supporting light loads, suspending hanger rods, or attaching fixtures. It is designed for the suspension of hanger rods for support of light loads. These clips are often part of a larger system of pipe hangers and supports and are chosen for their durability and ease of installation.

MATERIAL

Carbon Steel

FINISH

Plain, Electro-Galvanized, Hot Dip Galvanized or epoxy coating



Product Code	A	B	D	Bolt Dia.	rec.load
	mm	mm	mm	mm	Kg
SF-LSB 3/8"	80	40	11	16	50
SF-LSB 1/2"	80	40	14	16	70
SF-LSB 5/8"	80	40	17	16	85