

PRODUCT'S DATA SHEET



PIPE clamp with lining consists of piece carbon steel shaped to wrap around the pipe, made from shaped carbon steel plate. The selection of the proper PIPE HANGER WITH EPDM LINING depends upon the temperature of the piping system and load to be carried. Permits installation before and after pipe is in place. Reduces noise upto 18 dB

PIPE CLAMP WITH LINING

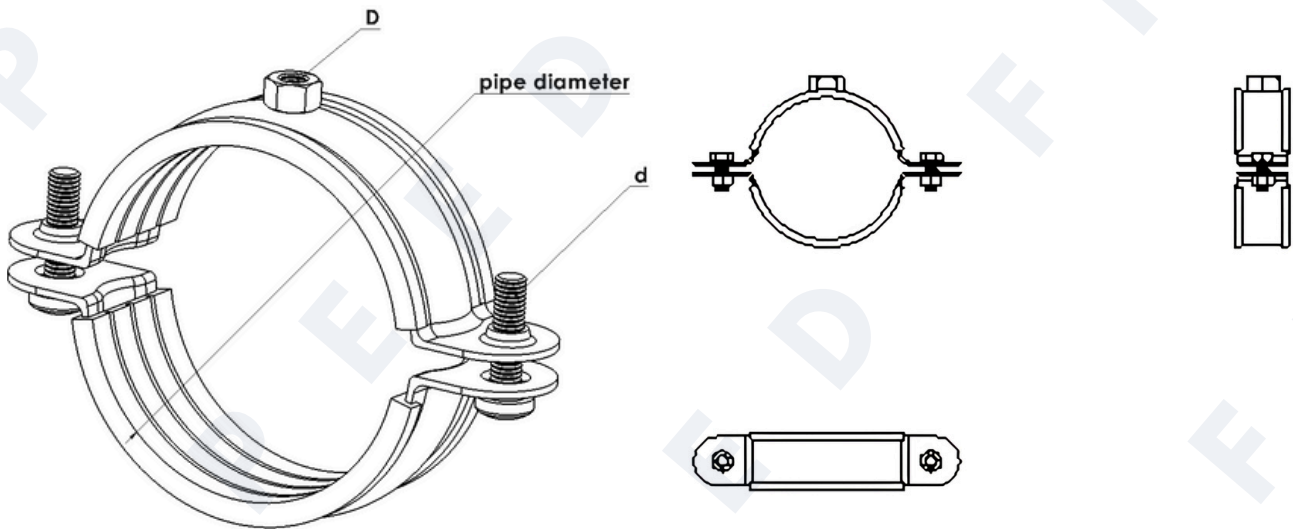
PIPE HANGER WITH LINING is recommended for non-insulated stationary pipelines in a horizontal position. It can be use for supporting pipes along roof.

Material

alloy steel and any other materials can also be provided upon request

FINISH

Plain, Electro-Galvanized, Hot Dip Galvanized or epoxy coating



PRODUCT Code	Pipe Size	Pipe Diameter	D	d	Max Load
	inch	(mm)	(mm)	(mm)	(KN)
SF-PL 3/4	0.75"	23	8	6	1.3
SF-PL 01	1"	29.5	8	6	5.79
SF-PL 01.25	1.25"	42.5	8	6	4.98
SF-PL 01.5	1.5"	48.5	8	6	5.2
SF-PL 02	2"	59	10	6	5.2
SF-PL 02.5	2.5"	71	10	6	5.7
SF-PL 03	3"	87	10	6	6
SF-PL 04	4"	108	10	6	6.9
SF-PL 06	6"	158	10	6	6
SF-PL 08	8"	199.5	10	6	6