

PRODUCT'S DATA SHEET



PIPE ROLLER

APPLICATION

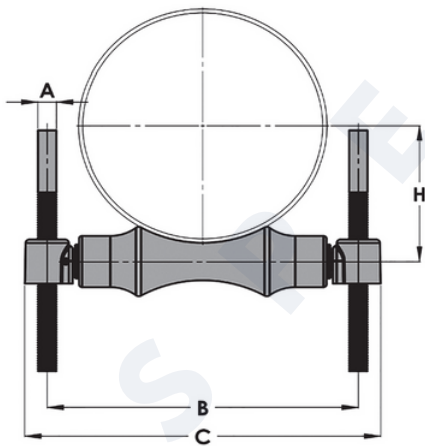
Recommended for supporting pipe in applications where horizontal movement, due to expansion and contraction, will occur.

MATERIAL

Steel. Also, other materials can also be provided on request

FINISH

Plain, Electro-Galvanized, Hot Dip Galvanized or epoxy coating



product code	pipe size		Pipe OD (mm)	A	B	C	H
	inch	mm		mm	mm	mm	mm
SF- PRC 01	1"	25	29	M10	75	95	26.5
SF- PRC 1.25	1 1/4"	32	36	M10	85	105	30.5
SF- PRC 1.5	1 1/2"	40	44	M10	90	110	33.5
SF- PRC 2	2"	50	59	M10	102	122	38.5
SF- PRC 2.5	2 1/2"	65	75	M12	124	154	49.0
SF- PRC 03	3"	80	89	M12	140	170	55.5
SF- PRC 3.5	3 1/2"	90	102	M12	156	186	63.5
SF- PRC 04	4"	100	115	M16	175	215	69.5
SF- PRC 05	5"	125	141	M16	205	254	84.5
SF- PRC 06	6"	150	168	M20	245	303	100
SF- PRC 08	8"	200	219	M24	300	358	129.5
SF- PRC 10	10"	250	273	M24	356	414	159
SF- PRC 12	12"	300	323	M24	402	460	187
SF- PRC 14	14"	350	356	M24	458	540	209
SF- PRC 16	16"	400	406	M30	508	590	234.5
SF- PRC 18	18"	450	457	M30	559	641	263
SF- PRC 20	20"	500	508	M30	610	692	291.5
SF- PRC 24	24"	600	610	M39	735	825	350
SF- PRC 30	30"	750	755	M39	900	990	438.5