

# PRODUCT'S DATA SHEET



## RUBBER HANGER

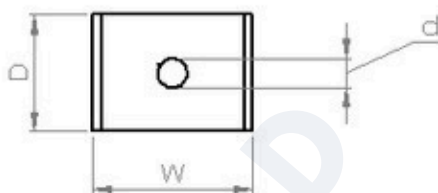
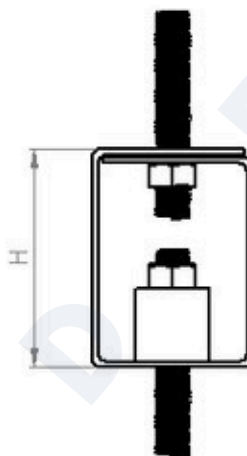
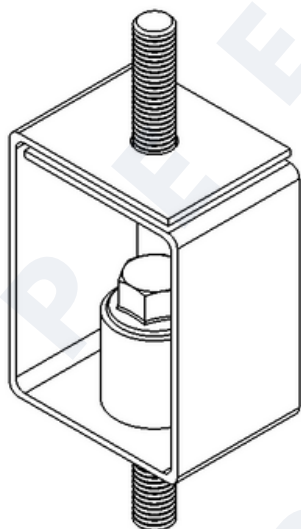
- Axial Fans and Fan Coil Units.
- Ductwork and Attenuators.
- Exhaust Systems.
- Acoustic Ceilings.
- Any other suspended plant

### Material

Rubber & Steel

### FINISH

Rubber & Steel



product code	D(mm)	H(mm)	W(mm)	BOLT DIA. (MM)	REC.LOAD (KG)	MAX. DEFLECTION (MM)
	mm	mm	mm	mm	Kg	mm
SF-RH 10	40	75	55	10	10	8
SF-RH 15	40	75	55	10	15	8
SF-RH 20	40	75	55	10	20	8
SF-RH 30	40	75	55	10	30	8
SF-RH 40	40	75	55	10	40	10
SF-RH 60	40	75	55	10	60	10
SF-RH 100	40	75	55	10	100	10