

# PRODUCT'S DATA SHEET



The structural attachment to the concrete ceiling lug is utilized in conjunction with forged steel clevis and anchors of sufficient strength to support the necessary load.

## SINGLE LUG CONCRETE PLATE

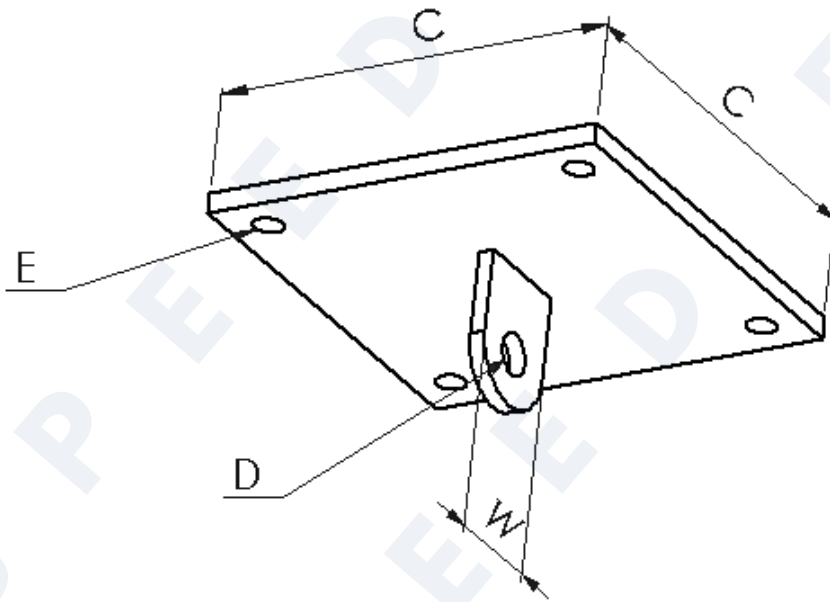


### MATERIAL

Carbon Steel

### FINISH

Plain, Electro-Galvanized, Hot Dip Galvanized or epoxy coating



product code	A mm	w mm	C mm	E mm	bolt dia. mm	rec.load Kg
SF-SLCP 01	13	64	73	14	18	400
SF-SLCP 02	16	64	73	14	21	500
SF-SLCP 03	19	64	73	18	24	600
SF-SLCP 04	22	64	108	18	29	920
SF-SLCP 05	25	76	108	21	32	1302
SF-SLCP 06	29	76	108	24	35	1315
SF-SLCP 07	32	102	108	24	38	1897
SF-SLCP 08	38	128	166	29	44	2000