

# PRODUCT'S DATA SHEET



## SUPPORT CHANNELS

### APPLICATION

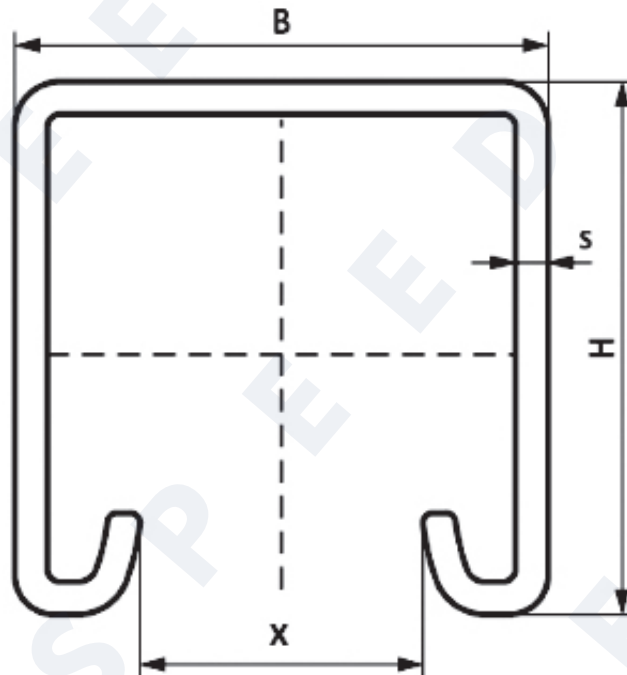
- Metal Framing / Electrical Applications
- Pipe & Conduit Supports
- Tunnel Pipe Stanchions
- Beam Attachments
- Pipe Risers

### MATERIAL

carbon Steel. Also, other materials can also be provided on request.

### FINISH

Plain, Electro-Galvanized, Hot Dip Galvanized or epoxy coating



B X H X S	B	H	S	X	L
mm x mm x mm	mm	mm	mm	mm	m
SF- SC 41 X 21 X 1.5	41	21	1.5	22	3
SF-SC 41 X 41 X 1.5	41	41	1.5	22	3
SF-SC 41 X 21 X 2.0	41	21	2.0	22	3
SF-SC41 X 41 X 2.0	41	41	2.0	22	3
SF-SC41 X 21 X 2.5	41	21	2.5	22	3
SF-SC 41 X 41 X 2.5	41	41	2.5	22	3