

PRODUCT'S DATA SHEET



PIPE CLAMPS consists of two carbon steel flat bars bent to shape and held together by two bolts.

THREE BOLT PIPE CLAMP

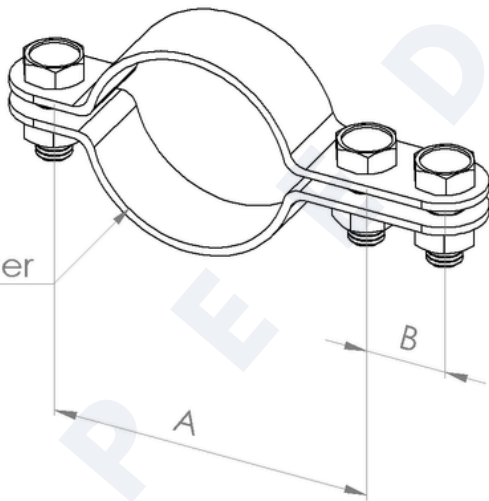
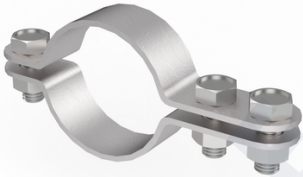
Designed for high static loading requirement in plant construction. Pipe clamps manufactured according to DIN 3567

Material

Carbon Steel and any other materials can also be provided upon request

FINISH

Plain, Electro-Galvanized, Hot Dip Galvanized or epoxy coating



Sheet1



product code	Pipe size	Pipe diameter	D	A	B	Max load(kg)
	inch	mm				
SF-THPC .05	0.5"	21.12	10	45.79	20	170
SF-THPC 0.75	0.75"	26.7	10	51.78	20	170
SF-THPC 01	1"	33.4	10	60.74	20	170
SF-THPC 1.25	1.25"	42.1	12	70.6	20	170
SF-THPC 1.5	1.5"	49.2	12	78.9	20	170
SF-THPC 02	2"	60.3	12	95.85	20	170
SF-THPC 2.5	2.5"	73	12	115.91	20	400
SF-THPC 03	3"	89	12	130.66	20	400
SF-THPC 04	4"	114.3	12	156.8	20	400
SF-THPC 06	6"	168.3	16	221.59	20	600
SF-THPC 06	8"	220	16	273.44	20	1100
SF-THPC 06	10"	273	16	333.1	20	1300