

# PRODUCT'S DATA SHEET



PIPE CLAMPS consists of two carbon steel flat bars bent to shape and held together by two bolts.

## TWO BOLT PIPE CLAMP WITH LINING



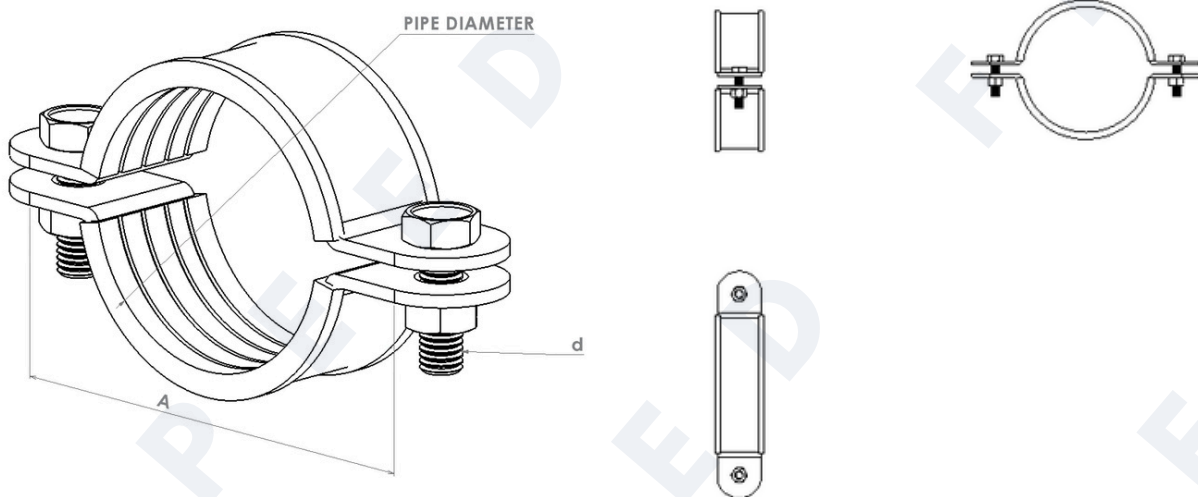
Recommended for suspension of cold pipe lines or hot lines where no insulation is required.

### Material

Carbon Steel and any other materials can also be provided upon request

### FINISH

Plain, Electro-Galvanized, Hot Dip Galvanized or epoxy coating



product code	Pipe Size	Pipe Diameter	D	d	A	Max Load
	inch.	mm	mm	mm	mm	KN
SF-TPC .05	0.5	21.3	8	6	67	1.3
SF-TPC 0.75	0.75	26.7	8	6	70	1.3
SF-TPC 01	1	33.4	8	6	85	1.3
SF-TPC 1.25	1.25	42.1	8	6	86	1.6
SF-TPC 1.5	1.5	48.2	8	6	94	1.6
SF-TPC 02	2	60.3	8	6	108.5	1.6
SF-TPC 2.5	2.5	73	10	6	120	2.3
SF-TPC 03	3	88.9	10	6	144.5	2.3
SF-TPC 04	4	114.3	10	6	164	2.6
SF-TPC 06	6	168.3	10	6	221	2.6