

# PRODUCT'S DATA SHEET



Light-medium duty clamp comes in durable hot dipped galvanised finish with hex head bolts and nuts.

## YOKE CLAMP

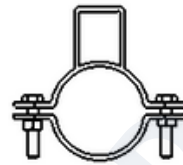
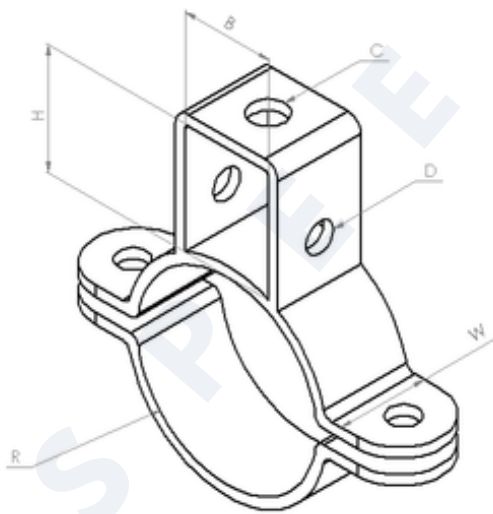
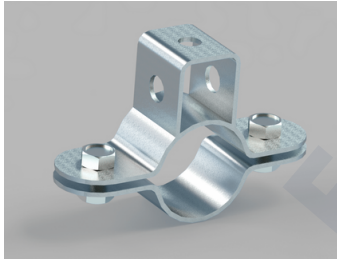
used in conjunction with threaded components and nuts to clamp and suspend pipework. Easily height adjustable.

### Material

Carbon Steel and any other materials can also be provided upon request

### FINISH

Plain, Electro-Galvanized, Hot Dip Galvanized or epoxy coating



product code	pipe size	R (pipe dia.)	W	D	B	H	C	load
	inch	mm	mm	mm	mm	mm	mm	KG
SF-YC 0.75	0.75	20	25	8	20	30	10	21
SF-YC 01	1	25	25	8	20	30	10	23
SF-YC 1.25	1.25	32	25	8	20	30	10	24
SF-YC 1.5	1.5	40	25	8	20	30	10	25
SF-YC 02	2	50	25	8	20	30	10	61
SF-YC 2.5	2.5	65	30	10	30	40	12	71
SF-YC 03	3	80	30	10	30	40	12	76
SF-YC 04	4	100	30	10	35	40	12	122
SF-YC 06	6	150	40	12	40	50	16	250
SF-YC 08	8	200	40	12	40	50	16	300